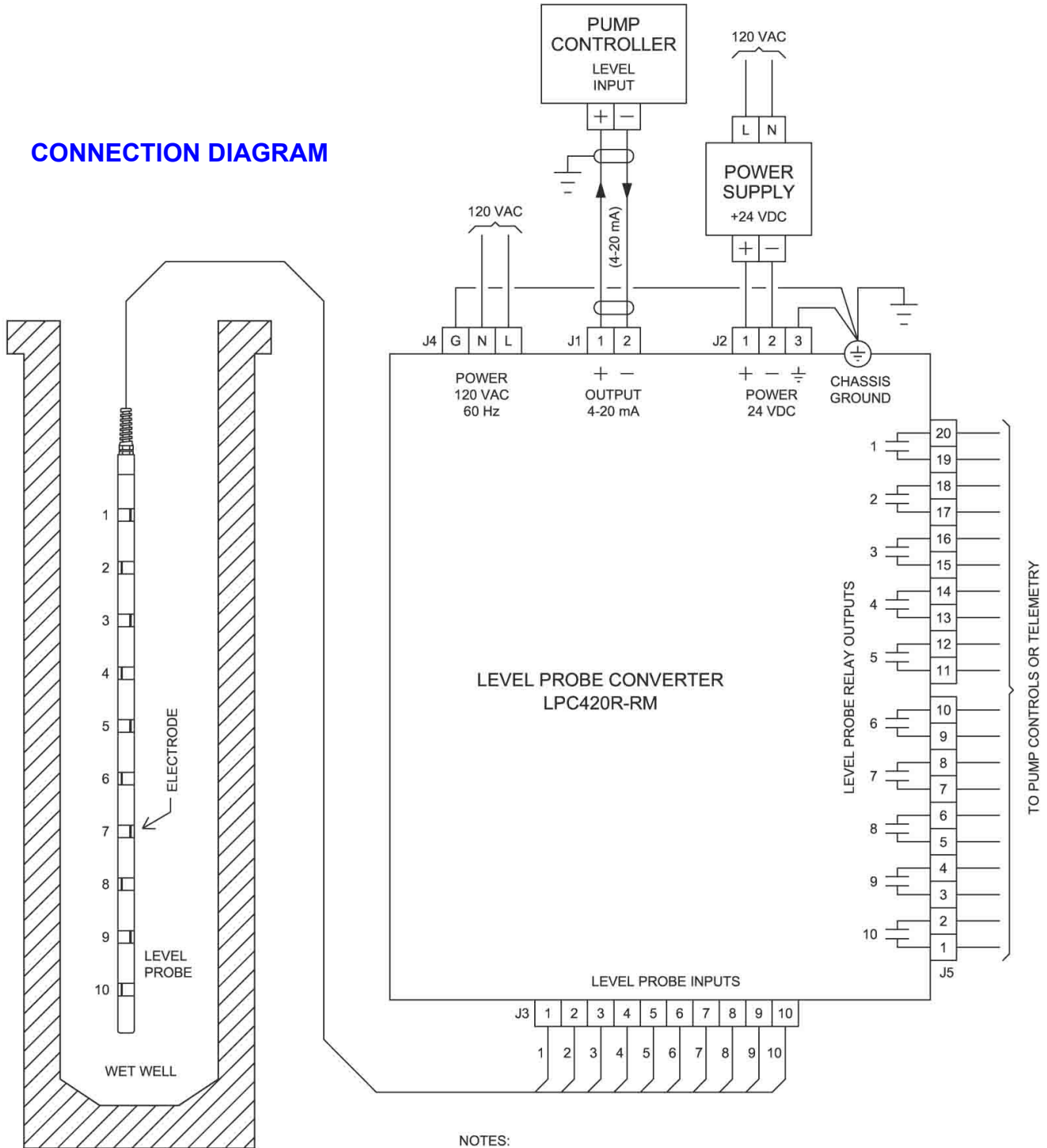


LEVEL PROBE CONVERTER w/ RELAYS

CONNECTION DIAGRAM



NOTES:

1. USE SHIELDED WIRE FOR ANALOG LEVEL SIGNAL WIRING. GROUND SHIELD AT ONE END.
2. THE LIQUID IN THE WET WELL MUST BE GROUNDED TO THE CONTROL PANEL GROUND. WHERE A SUBMERSIBLE PUMP IS PRESENT THE GROUNDED HOUSING OF THE PUMP IS SUFFICIENT.
3. UNIT MAY BE POWERED BY 24VDC OR 120VAC, BUT NOT BOTH.
4. WHEN THE UNIT IS POWERED FROM 120VAC, A GROUND CONNECTION IS REQUIRED ON BOTH J2 PIN 3 AND J4 PIN G.