



LEVEL PROBE CONVERTER w/ RELAYS REVERSE MOUNT



**PANEL
MOUNT VIEW**

TYPICAL APPLICATIONS

For use with any 10 electrode conductance probe where an analog 4-20mA level signal, relay outputs and a panel mounted level display are required.



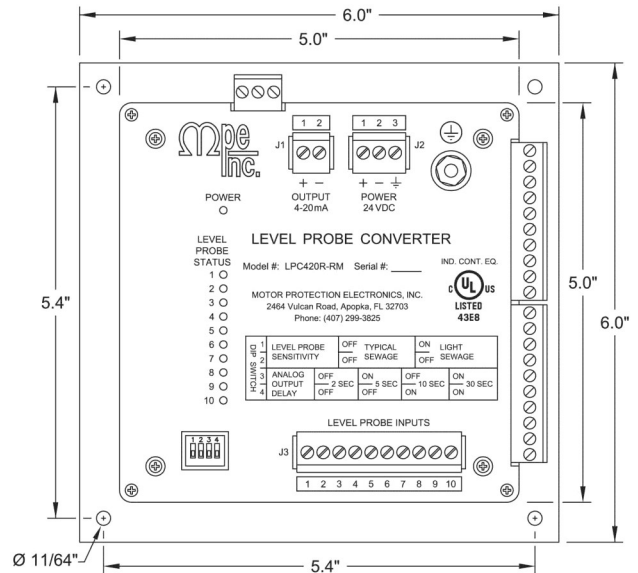
UL FILE # E101681

DESCRIPTION

The Reverse Mount LPC420 allows for viewing of the level display with the deadfront door closed, as well as open. Settings and connections are made on rear of unit.

The Level Probe Converter senses liquid level and provides a 4-20mA analog output for use by a pump controller or PLC to control liquid level. The unit monitors the ten electrodes on a Level Probe, and provides an analog signal that is proportional to level. The unit also provides 10 Relay Outputs with contacts that close as the liquid covers the respective Level Probe electrodes. The Relay Outputs may be used for pump control, level alarms or telemetry.

All setup is easily done using the four DIP switches on the unit. The Sensitivity of the unit must be set for the type of liquid being detected (see table below). The Analog Output Delay setting provides control over how fast the analog output transitions from one level output value to another. It takes 10 times the Analog Output Delay setting value to go from 4mA to 20mA, when the electrodes are covered quickly. When the electrodes are slowly covered one at a time, the Analog Output Delay is used to provide a smooth transition as the level goes from electrode to electrode.



REAR VIEW

1 DIP SWITCH	LEVEL PROBE SENSITIVITY	OFF	TYPICAL	ON	LIGHT
		OFF	SEWAGE	OFF	SEWAGE
3 DIP SWITCH	ANALOG OUTPUT DELAY	OFF	2 SEC	ON	10 SEC
		OFF	5 SEC	ON	30 SEC

SPECIFICATIONS

Input Power: 120 VAC ± 10% 7.7 VA max
or
24 VDC ± 10% 160 mA max

Analog Output: Non-Isolated 4-20 mA
Maximum Load 600 Ω

Relay Outputs: 6 A @ 120 VAC

Sensor Output Voltage: ±8 V Square Wave @ 60 Hz

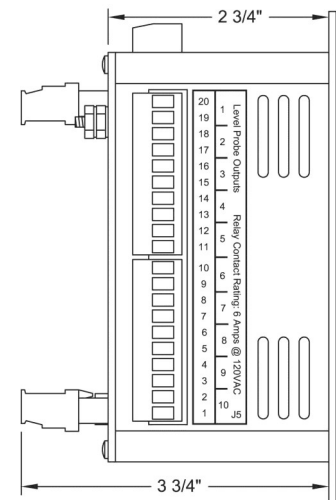
Sensor Output Current: 0.8 mA max (per sensor)

Operating Temp: -20 to +65 °C

Storage Temp: -45 to +85 °C

Enclosure: Aluminum, Panel Mounted

NUMBER OF ELECTRODES COVERED	ANALOG OUTPUT
NONE	4.0 mA
1	5.6 mA
2	7.1 mA
3	8.8 mA
4	10.4 mA
5	12.0 mA
6	13.6 mA
7	15.2 mA
8	16.8 mA
9	18.4 mA
10	20.0 mA



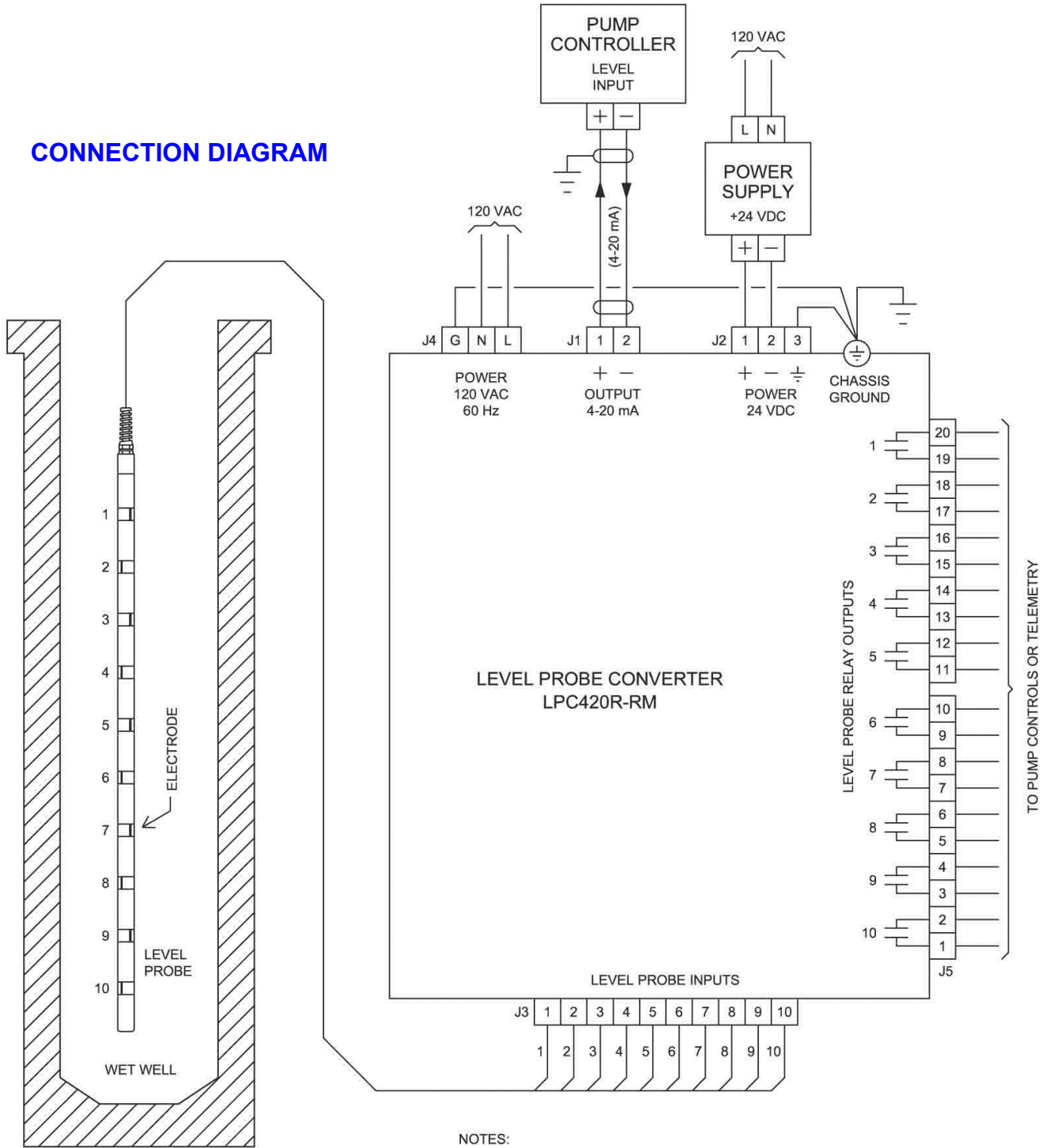
LEFT SIDE VIEW

ORDERING INFORMATION

Model Number: **LPC420R-RM**

LEVEL PROBE CONVERTER w/ RELAYS

CONNECTION DIAGRAM



- NOTES:
1. USE SHIELDED WIRE FOR ANALOG LEVEL SIGNAL WIRING. GROUND SHIELD AT ONE END.
 2. THE LIQUID IN THE WET WELL MUST BE GROUNDED TO THE CONTROL PANEL GROUND. WHERE A SUBMERSIBLE PUMP IS PRESENT THE GROUNDED HOUSING OF THE PUMP IS SUFFICIENT.
 3. UNIT MAY BE POWERED BY 24VDC OR 120VAC, BUT NOT BOTH.
 4. WHEN THE UNIT IS POWERED FROM 120VAC, A GROUND CONNECTION IS REQUIRED ON BOTH J2 PIN 3 AND J4 PIN G.