

LEVEL PROBE CONVERTER

**MADE IN
THE U.S.A.**

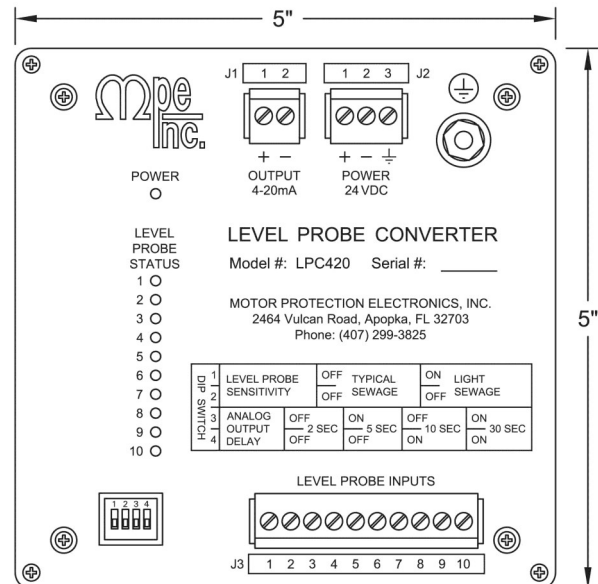
TYPICAL APPLICATIONS

For use with any 10 electrode conductance probe where an analog 4-20mA level signal is required.



DESCRIPTION

The Level Probe Converter senses liquid level and provides a 4-20mA analog output for use by a pump controller or PLC to control liquid level. The unit monitors the ten electrodes on a Level Probe, and provides an analog signal that is proportional to level. All setup is easily done using the four DIP switches on the unit. The Sensitivity of the unit must be set for the type of liquid being detected (see table below). The Analog Output Delay setting provides control over how fast the analog output transitions from one level output value to another. It takes 10 times the Analog Output Delay setting value to go from 4mA to 20mA, when the electrodes are covered quickly. When the electrodes are slowly covered one at a time, the Analog Output Delay is used to provide a smooth transition as the level goes from electrode to electrode.

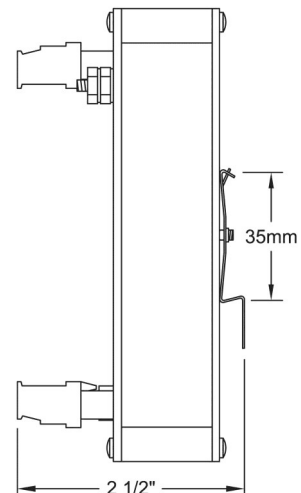


DIP SWITCH	1	LEVEL PROBE SENSITIVITY	OFF	TYPICAL	ON	LIGHT			
	2		OFF	SEWAGE	OFF	SEWAGE			
3	ANALOG OUTPUT DELAY	OFF	2 SEC	ON	5 SEC	OFF	10 SEC	ON	30 SEC
		4	OFF	2 SEC	ON	5 SEC	OFF	10 SEC	ON

SPECIFICATIONS

Supply Voltage: 24 VDC \pm 10%
 Supply Current: 75 mA max
 Analog Output: Non-Isolated 4-20 mA
 Maximum Load 600 Ω
 Sensor Output Voltage: \pm 8 V Square Wave @ 60 Hz
 Sensor Output Current: 0.8 mA max (per sensor)
 Operating Temp: -20 to +65 $^{\circ}$ C
 Storage Temp: -45 to +85 $^{\circ}$ C
 Enclosure: Aluminum, Din Rail Mounted

NUMBER OF ELECTRODES COVERED	ANALOG OUTPUT
NONE	4.0 mA
1	5.6 mA
2	7.1 mA
3	8.8 mA
4	10.4 mA
5	12.0 mA
6	13.6 mA
7	15.2 mA
8	16.8 mA
9	18.4 mA
10	20.0 mA

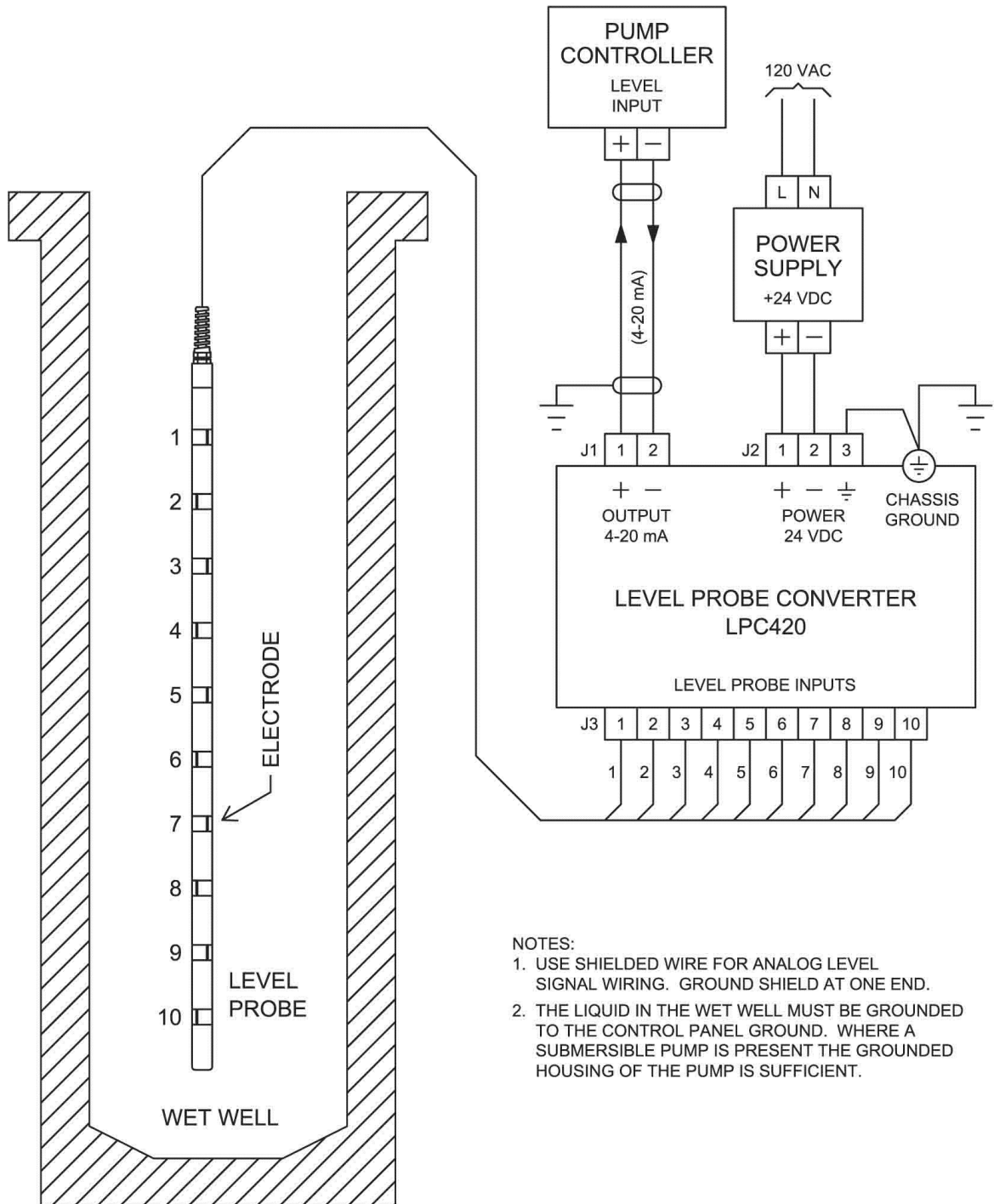


ORDERING INFORMATION

Model Number: **LPC420**

LEVEL PROBE CONVERTER

CONNECTION DIAGRAM



NOTES:

1. USE SHIELDED WIRE FOR ANALOG LEVEL SIGNAL WIRING. GROUND SHIELD AT ONE END.
2. THE LIQUID IN THE WET WELL MUST BE GROUNDED TO THE CONTROL PANEL GROUND. WHERE A SUBMERSIBLE PUMP IS PRESENT THE GROUNDED HOUSING OF THE PUMP IS SUFFICIENT.